

DH-HAC-ME1200D-LS

2MP HDCVI Active Deterrence Camera



* The parameters and datasheets below can only be applied to 1200-S5 series.

- Max 30 fps@1080p
- CVI/CVBS/AHD/TVI switchable
- Active deterrence with warm light and speaker
- Built-in PIR, 10 m/110° detecting range/angle
- 3.6 mm fixed lens (2.8 mm optional)
- Max. IR length 30 m, Smart IR
- IP67, 12 V DC



System Overview

Active Deterrence Series provides multi-dimensional system that links video with audio, information and alarm to verify potential risks. Active deterrence camera can actively warn off intruders with light and speaker, alert users in real-time with alarm-over-coax, and provide visual verification with HDCVI video.

Functions

Active Deterrence

Active deterrence is to warn off intruders actively with white light and speaker even before users are aware of the incidence. Once an intrusion is detected, the white light will turn on and the speaker will buzz to alert the intruder. The white light can be set to normally on or flash, the content of speaker is configurable.

Simplicity

HDCVI technology inherits the born feature of simplicity from traditional analog surveillance system, making itself a best choice for investment protection. HDCVI system can seamlessly upgrade the traditional analog system without replacing existing coaxial cabling. The plug and play approach enables high definition video surveillance without the hassle of configuring a network.

Smart Illumination

The camera is designed with IR illumination for best lowlight performance. Smart IR is a technology to ensure brightness uniformity in B/W image under low illumination. Dahua's unique Smart IR adjusts to the intensity of camera's infrared LEDs to compensate for the distance of an object, and prevents IR LEDs from overexposing images as the object come closer to the camera.

4 Signals over 1 Coaxial Cable

HDCVI technology supports 4 signals to be transmitted over 1 coaxial cable simultaneously, i.e. video, audio*, data and power. Dual-way data transmission allows the HDCVI camera to interact with the XVR, such as sending control signal or triggering alarm. Moreover, HDCVI technology supports PoC for construction flexibility.

* Audio input is available for some models of HDCVI cameras.

Long Distance Transmission

HDCVI technology guarantees real-time transmission at long distance without any loss. It supports up to 700m transmission for 2MP/5MP/8MP HD video via coaxial cable, and up to 300m via UTP cable.* *Actual results verified by real-scene testing in Dahua's test laboratory.

Protection (IP67, wide voltage)

IP67: The camera passes a series of strict test on dust and soak. It has dust-proof function, and the enclosure can work normal after soaking in 1 m deep water for 30 minutes.

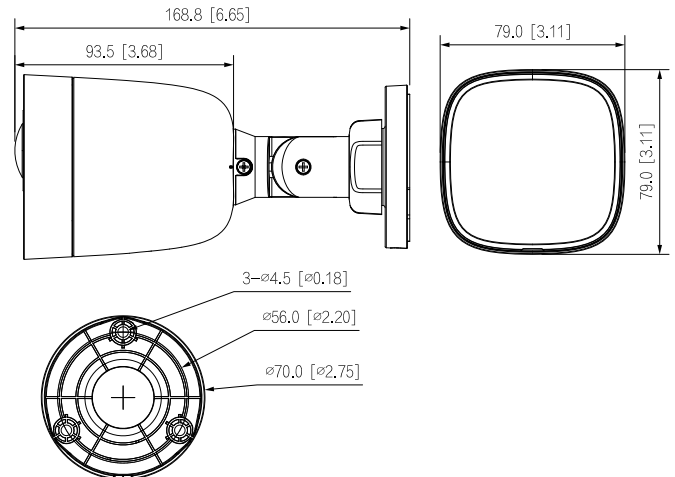
Wide voltage: The camera allows $\pm 30\%$ (for some power supplies) input voltage tolerance (wide voltage range), and it is widely applied to outdoor environment with instable voltage.

| Technical Specification | | | | | |
|---------------------------------|---|----------------------|---------------------|---------------------|--------------------|
| Camera | | | | | |
| Image Sensor | 2MP CMOS | | | | |
| Max. Resolution | 1920 (H) × 1080 (V) | | | | |
| Pixel | 2MP | | | | |
| Scanning System | Progressive | | | | |
| Electronic Shutter Speed | PAL: 1/25 s–1/100,000 s NTSC: 1/30 s–1/100,000 s | | | | |
| Min. Illumination | 0.02 Lux/F2.0, 30 IRE, 0 Lux IR on | | | | |
| S/N Ratio | > 65 dB | | | | |
| Illumination Distance | 30 m (98.4 ft) | | | | |
| Illuminator On/Off Control | Auto | | | | |
| Illuminator Number | 1 (IR light) | | | | |
| Pan/Tilt/Rotation Range | Pan: 0°–360° Tilt: 0°–90° Rotation: 0°–360° | | | | |
| Lens | | | | | |
| Lens Type | Fixed-focal | | | | |
| Lens Mount | M12 | | | | |
| Focal Length | 2.8 mm; 3.6 mm | | | | |
| Max. Aperture | 2.8 mm: F2.0 3.6 mm: F2.0 | | | | |
| Field of View | 2.8 mm: H: 100°; V: 53°; D: 120° 3.6 mm: H: 83°; V: 44°; D: 99° | | | | |
| Close Focus Distance | 2.8 mm: 0.6 m (2.0 ft) 3.6 mm: 0.8 m (2.6 ft) | | | | |
| DORI Distance | Lens | Detect | Observe | Recognize | Identify |
| | 2.8 mm | 46.9 m (153.9 ft) | 18.8 m (61.7 ft) | 9.4 m (30.8 ft) | 4.7 m (15.4 ft) |
| | 3.6 mm | 53.7 m (176.2 ft) | 21.5 m (70.5 ft) | 10.7 m (35.1 ft) | 5.4 m (17.7 ft) |
| Video | | | | | |
| Video Frame Rate | CVI: PAL: 1080p@25 fps; NTSC: 1080p@30 fps AHD: PAL: 1080p@25 fps; NTSC: 1080p@30 fps TVI: PAL: 1080p@25 fps; NTSC: 1080p@30 fps CVBS: PAL: 960H; NTSC: 960H | | | | |
| Resolution | 1080p (1920 × 1080); 960 H (960 × 576/960 × 480) | | | | |
| Day/Night | Auto (ICR) | | | | |
| BLC | BLC/HLC/DWDR | | | | |
| WDR | DWDR | | | | |
| White Balance | Auto/Area WB | | | | |
| Gain Control | Auto | | | | |
| Noise Reduction | 2D NR | | | | |
| Smart Illumination | Yes | | | | |
| Mirror | Yes | | | | |
| Privacy Masking | Off/On (8area,rectangle) | | | | |
| PIR | | | | | |
| Detection Mode | Pyroelectric infrared sensor | | | | |
| Max. Detection Range | 10 m (32.8 ft), 110° | | | | |
| Recommended Installation Height | 2.2 m–3 m (7.2 ft–9.8 ft) | | | | |
| Recommended Working Temperature | –10 °C to 50 °C (14 °F to 122 °F) | | | | |
| Active Deterrence | | | | | |
| White Light Warning | lighting/flash; Alert Duration: 5 s–60 s; flash Freq: low/medium/high | | | | |
| Sound Warning | Audio 1/2/3; Volume: high/medium/low; duration: 5 s–60 s; 110 dB | | | | |
| Certifications | | | | | |
| Certifications | CE (EN55032:2015, EN61000-3-2:2014, EN61000-3-3:2013, EN55024:2010+A1:2015, EN55035:2017, EN50130-4:2011+A1:2014) FCC (CFR 47 FCC Part 15 subpartB, ANSI C63.4-2014) UL (UL60950-1+CAN/CSA C22.2 No.60950-1) IEC 62368-1:2014 (Second Edition) | | | | |
| Port | | | | | |
| Video Output | Video output choices of CVI/TVI/AHD/CVBS by one BNC port | | | | |
| Power | | | | | |
| Power Supply | DC12V±30% | | | | |
| Power Consumption | Max 4.9 W (12 V DC, IR on) | | | | |
| Environment | | | | | |
| Operating Temperature | –40 °C to +60 °C (–40 °F to 140 °F); < 95% (non-condensation) | | | | |
| Storage Temperature | –40 °C to +60 °C (–40 °F to 140 °F); < 95% (non-condensation) | | | | |
| Protection | IP67 | | | | |
| Structure | | | | | |
| Casing | Cover: Metal Rear: Plastic | | | | |
| Camera Dimensions | 168.8 mm × 79.0 mm × 79.0 mm (6.65" × 3.11" × 3.11") | | | | |
| Net Weight | 0.32 kg (0.71 lb) | | | | |
| Gross Weight | 0.45 Kg (0.99 lb) | | | | |

Ordering Information

| Type | Model | Description |
|------------------------|--------------------|--|
| 2MP Camera | DH-HAC-ME1200DP-LS | 2MP HDCVI Active Deterrence Fixed IR Bullet Camera, PAL |
| | DH-HAC-ME1200DN-LS | 2MP HDCVI Active Deterrence Fixed IR Bullet Camera, NTSC |
| Accessories (Optional) | PFA134 | Junction box |
| | PFA152-E | Pole Mount Bracket |
| | PFM800-E | Passive HDCVI Balun |
| | PFM321D | 12 V 1A Power Adapter |
| | PFM904 | Integrated Mount Tester |

Dimensions (mm[inch])



Accessories

Optional:



PFA134
Junction box



PFA152-E
Pole Mount Bracket



PFM800-E
Passive HDCVI Balun



PFM321D
12 V 1A Power Adapter



PFM904
Integrated Mount Tester

