

DH-HAC-HFW1239TLM(-A)-LED

2M Full-color Starlight HDCVI Bullet Camera



- Full-color starlight
- 40m LED distance
- Max. 30fps@1080P
- CVI/CVBS/AHD/TVI Switchable
- Built-in mic(-A)
- 3.6mm fixed lens (2.8mm Optional)
- IP67, 12V±30% DC



System Overview

Experience 1080P full HD color video and the simplicity of reusing existing coaxial infrastructure with HDCVI. The full-color starlight HDCVI camera presents a high quality color image with rich details even in total darkness conditions. It offers various fixed lens models with a multi-language OSD and HD/SD switchable output. It adopts two powerful warm white LED illuminators, covering an effective range up to 40m(131.23ft). The LEDs switch on automatically in darkness to capture detail-packed full-color images 24/7, ensuring authentic identification of objects. It is an ideal choice for applications such as schools, retail centers and parking lots.

Functions

Full-color Starlight

The camera adopts F1.6 large aperture lens and 1/2.8" high performance sensor. With higher amount of absorbed light and advanced image processing algorithm, the camera presents an impressive lowlight performance with an exceptional balance between noise reduction and the blur of moving object.

Warm Supplemental lights

With two warm supplemental LED lights, the camera is able to provide a colorful and vivid image even in total darkness. It also provides visible By default, the camera is set to smart light mode, in which the camera can automatically adjust the exposure time and light sensitivity simultaneously to avoid overexposure of the objects in the image center. Also, the sensitivity and intensity of the LED lights can be remotely controlled by OSD menu.

Broadcast-quality Audio

Audio information is used as supplementary evidence in video surveillance applications. The HDCVI camera supports audio signal transmission over coaxial cable. In addition, it adopts unique audio processing and transmission technology that best restores source audio and eliminates noise, guaranteeing the quality and effectiveness of collected audio information.

*Broadcast-quality audio is available for some models of HDCVI cameras.

4 Signals over 1 Coaxial Cable

HDCVI technology supports 4 signals to be transmitted over 1 coaxial cable simultaneously, i.e. video, audio*, data and power. Dual-way data transmission allows the HDCVI camera to interact with the HCVR, such as sending control signal or triggering alarm. Moreover, HDCVI technology supports PoC for construction flexibility.

*Audio input is available for some models of HDCVI cameras.

Long Distance Transmission

HDCVI technology guarantees long-distance and real-time transmission without any loss. It supports up to 800m for 1080P Full HD video via coaxial cable, and up to 300m via UTP cable

*Actual results verified by real-scene testing in Dahua's test laboratory.

Simplicity

HDCVI technology inherits the born feature of simplicity from traditional analog surveillance system, making itself a best choice for investment protection. HDCVI system can seamlessly upgrade the traditional analog system without replacing existing coaxial cabling. The plug and play approach enables full HD video surveillance without the hassle of configuring a network.

Multiple-formats

The camera supports multiple video formats including HDCVI, CVBS and other two common HD analog formats in the market. The four formats can be switched over through OSD menu or by PFM820(UTC controller). This feature makes the camera to be compatible with most end users' existing HD/SD DVRs.

Protection

The camera's outstanding reliability is unsurpassed due to its rugged design. The camera is protected against water and dust with IP67 ranking, making it suitable for indoor or outdoor environments.

Technical Specification

Camera

Image Sensor	1/2.8 inch 2.16 Mega Pixels CMOS
Effective Pixels	1920 (H)×1080 (V), 2MP
Electronic Shutter Speed	PAL:1/25s-1/100000s NTSC:1/30s-1/100000s
Minimum Illumination	0.005Lux/F1.6, 30IRE, 0Lux white Light on
Fill Light (White Light) Distance	Distance up to 40m (131.23ft)
Fill Light On/Off Control	Auto; Manual
Fill Light Number	2
Pan/Tilt/Rotation Range	Pan: 0°-360° Tilt: 0°-180° Rotation: 0°-360°

Lens

Lens Type	Fixed-focal				
Mount Type	M12				
Focal Length	2.8m/3.6mm				
Max. Aperture	F1.6				
Angle of View	2.8mm: 126.2°×106.0°×56.5° (diagonal×horizontal×vertical) 3.6mm: 103.6°×86.9°×46.3° (diagonal×horizontal×vertical)				
Iris Type	Fixed iris				
Close Focus Distance	2.8mm: 0.6m (1.97ft) 3.6mm: 1.2m (3.94ft)				
DORI Distance	Lens	Detect	Observe	Recognize	Identify
	2.8mm	38.6m (126.6ft)	15.4m (50.5ft)	7.7m (25.3ft)	3.9m (12.8ft)
	3.6mm	55.2m (181.1ft)	22.1m (72.5ft)	11.0m (36.0ft)	5.5m (18.0ft)

Video

Video Frame Rate	CVI: PAL: 1080@25fps, 720@25fps, 720@50fps; NTSC: 1080@30fps, 720@30fps, 720@60fps AHD: PAL: 1080@25fps,720@25fps; NTSC: 1080@30fps,720@30fps TVI: PAL: 1080@25fps,720@25fps,720@50fps; NTSC: 1080@30fps,720@30fps,720@60fps CVBS: PAL: 960×576H; NTSC: 960×480H
Resolution	1080P (1920×1080); 720P (1280×720); 960H (704×576/704×480)
BLC	BLC/HLC/WDR
WDR	DWDR
White Balance	Auto; Manual
Gain Control	Auto; Manual
Noise Reduction	2D NR
Smart Light	Yes

Electronic Defog	Yes
Digital Zoom	16X
Mirror	Off/On
Privacy Masking	Off/On (4 area, rectangle)

Certification

Certifications	CE (EN55032, EN55024, EN50130-4,EN60950-1) FCC (CFR 47 FCC Part 15 subpartB, ANSI C63.4-2014) UL (UL60950-1+CAN/CSA C22.2 No.60950-1)
----------------	---

Interface

Audio Interface	Built-in mic(-A)
-----------------	------------------

Port

Video Port	Video output choices of CVI/TVI/AHD/CVBS by one BNC port
------------	--

Power

Power Supply	12V ±30% DC
Power Consumption	Max 5W (12V DC, white light on)

Environment

Operating Temperature	-40°C to +60°C (-40°F to 140°F); <95% (non-condensation)
Storage Temperature	-40°C to +60°C (-40°F to 140°F); <95% (non-condensation)
Protection Grade	IP67

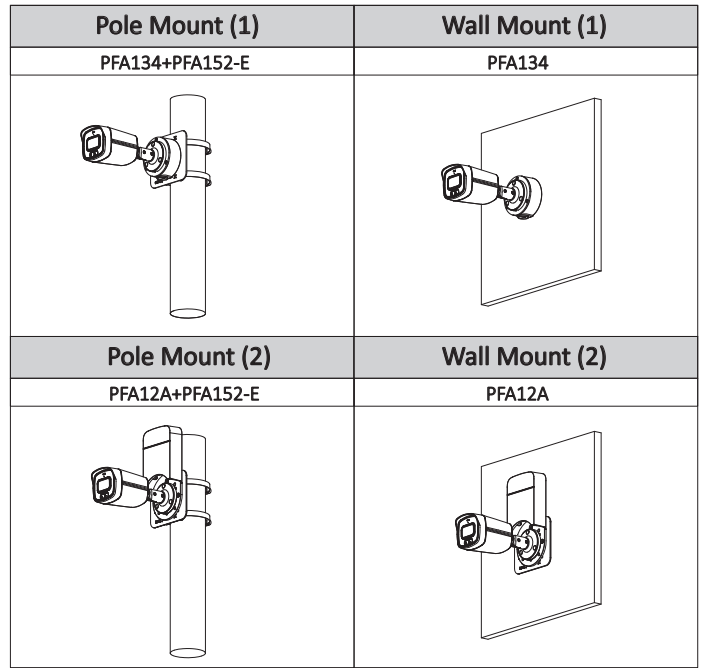
Structure

Casing	Metal front cover+plastic main body+metal bracket
Dimensions	198.4mm×80.2mm×76.2mm (7.81"×3.16"×3.00")
Net Weight	0.3Kg(0.66lb)
Gross Weight	0.45Kg(0.99lb)

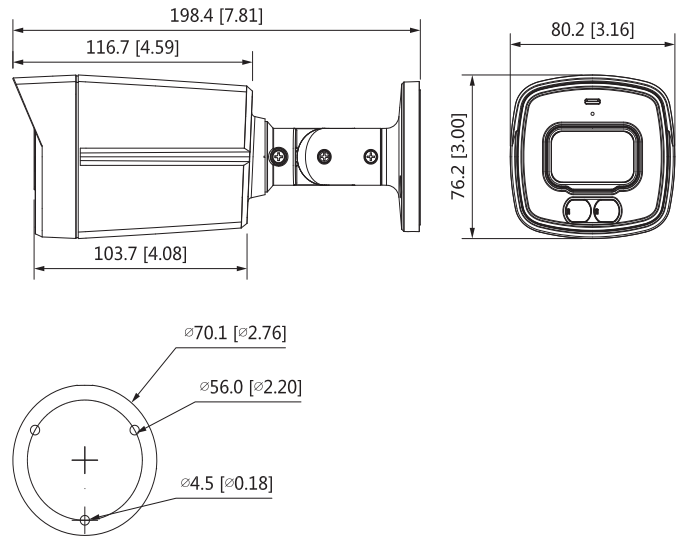
Ordering Information

Type	Part Number	Description
2M Camera	DH-HAC-HFW1239TLM(-A)-LED 2.8mm	2M Full-color Starlight HDCVI Bullet Camera, PAL
	DH-HAC-HFW1239TLM(-A)-LED 2.8mm	
	DH-HAC-HFW1239TLMN(-A)-LED 2.8mm	2M Full-color Starlight HDCVI Bullet Camera,NTSC
	DH-HAC-HFW1239TLMN(-A)-LED 2.8mm	
	DH-HAC-HFW1239TLM(-A)-LED 3.6 mm	2M Full-color Starlight HDCVI Bullet Camera, PAL
DH-HAC-HFW1239TLM(-A)-LED 3.6 mm		

2M Camera	DH-HAC-HFW1239TLMN-A-LED 3.6 mm	2M Full-color Starlight HDCVI Bullet Camera,NTSC
	DH-HAC-HFW1239TLMN-LED 3.6 mm	
Accessories	PFA134+PFA152-E	Water-proof Junction Box+Pole Mount Bracket
	PFA134	Water-proof Junction Box
	PFA12A+PFA152-E	Plastic Junction Box+Pole Mount Bracket
	PFA12A	Plastic Junction Box
	PFM820	UTC Controller
	PFM800-E	Passive HDCVI Balun
	PFM800-4K	Passive Video Balun
	PFM800B-4K	Passive Video Balun
	PFM321	12V 1A Power Adapter
	PFM300	12V 2A Power Adapter
	PFM320D-015	12V 1.5A Power Adapter



Dimensions (mm[inch])



Accessories

Optional:

