

DHI-ASC3202B

Access Controller



Technical Specification

System

Main Processor	Embedded processor
Internet Protocol	P2P; IPv4; DNS; DDNS; TCP; UDP
Interoperability	ONVIF; CGI
SDK and API	Yes

Basic

Product Type	Controller
Buzzer	Yes
Casing Material	PC + ABS

Function

Unlock Mode	Card; remote; password; fingerprint; Bluetooth; combination unlock
Period List	128 periods
Holiday Period	128 periods
Network Update	Yes
Blocklist/Allowlist	Yes
Peripheral Card Reader	Supports 2 × RS-485 card readers; 2 × Wiegand card readers
Multi-user Authentication	Yes (Use with platform)
Real-time Monitoring	Yes
Multi-factor Authentication	Yes
Web Configuration	Yes

User

User (Card) Type	General user, VIP user, guest user, patrol user, blocklist user, and other users
------------------	--

- Built-in Web server, features main and sub control modes.
- The main control mode offers access control Platform functions, can connect with and manage up to 19 sub controllers. The sub-control modes can be added to multiple platforms.
- Supports 1000 users (main control mode), 3000 fingerprints, 5000 Bluetooth cards (main control mode) and 300,000 records.
- Accesses card readers through Wiegand and RS-485 protocols.
- Supports TCP and IP connection, and standard PoE.
- Supplies power to the lock through its 12 VDC output power supply, which has a maximum output current of 1000 mA.
- Supports configuring the hardware I/O port and exporting configuration diagrams.
- Retains stored data even while powered off.
- Role management.
- Supports multiple advanced access control functions, such as first-person unlock, multi-person unlock, global anti-passback, global multi-door interlock and global external alarm.

Capacity

User Capacity	1,000 (main control mode), 10,000 (sub control mode)
Fingerprint Capacity	3,000
Card Capacity	5,000 (main control mode), 50,000 (sub control mode)
Bluetooth Card Capacity	5,000
Record Capacity	300,000

Port

RS-485	3
Wiegand	2 × input
Network Port	1 × RJ-45 10/100 Mbps Ethernet port
Alarm Input	2 (digital quantity)
Alarm Output	2 (digital quantity)
Alarm Linkage	Yes
Exit Button	2
Door Status Detection	2
Lock Control	2

Alarm

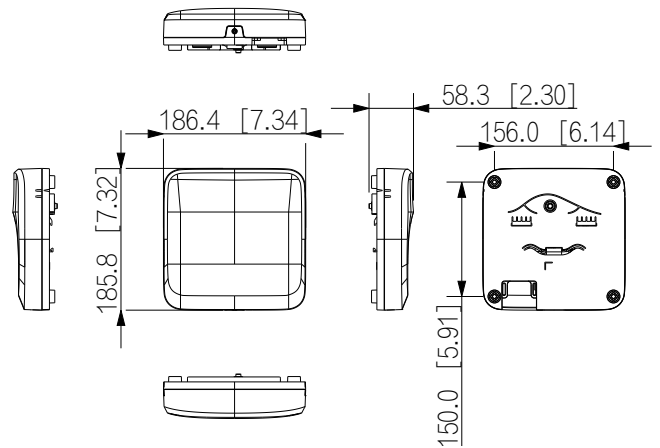
Tamper Alarm	Yes
Duress Alarm	Yes
Door Sensor Timeout	Yes

Intrusion	Yes
Illegal Card Exceeding Threshold	Yes
Duress Fingerprint	Yes

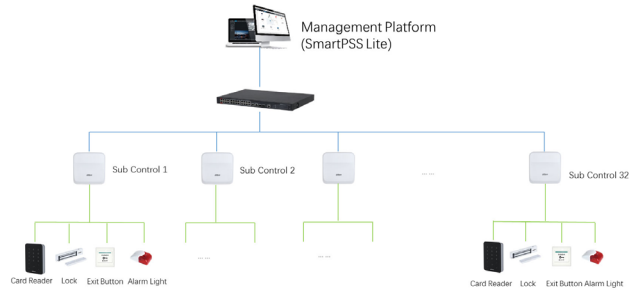
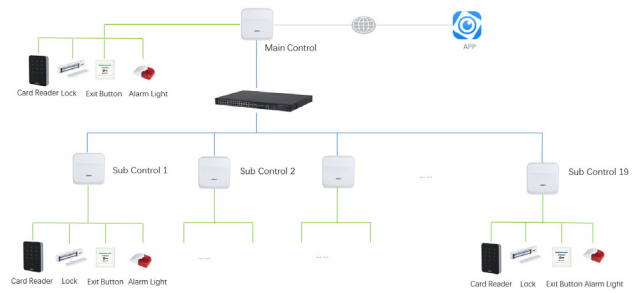
General

Power Supply	Power in: 12V DC or Power over Ethernet IEEE 802.3at Type 2 Class 4
Protection	IK06
Power Consumption	Standby Power (no peripheral devices): ≤ 2 W Working Power: Total power budget if powered by DC: 1700 mA at 12 V for peripheral devices (locks, readers etc.) Total power budget if powered by PoE: 1200 mA at 12 V for peripheral devices (locks, readers etc.)
Product Dimensions	186.4 mm \times 185.8 mm \times 58.3mm (7.34" \times 7.31" \times 2.30") (L \times W \times H)
Packaging Dimensions	254 mm \times 243 mm \times 86 mm (10.00" \times 9.57" \times 3.39") (L \times W \times H)
Operating Temperature	-10 °C to +55 °C (+14 °F to 131 °F)
Operating Humidity	5%–95% (RH), non-condensing
Operating Environment	Indoor
Gross Weight	0.99 kg (2.18 lb)
Installation	Surface Mount; Guide Rail Mount
Certifications	CE; FCC; UL

Dimensions (mm[inch])



Panels



Ordering Information

Type	Model	Description
Access Controller	DHI-ASC3202B	Dahua Two-door Access Controller B (portable, indoor)