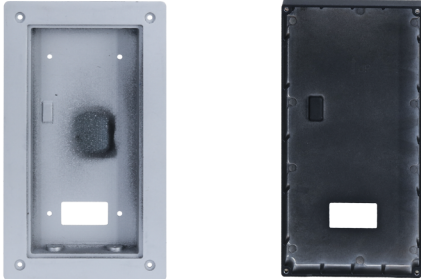


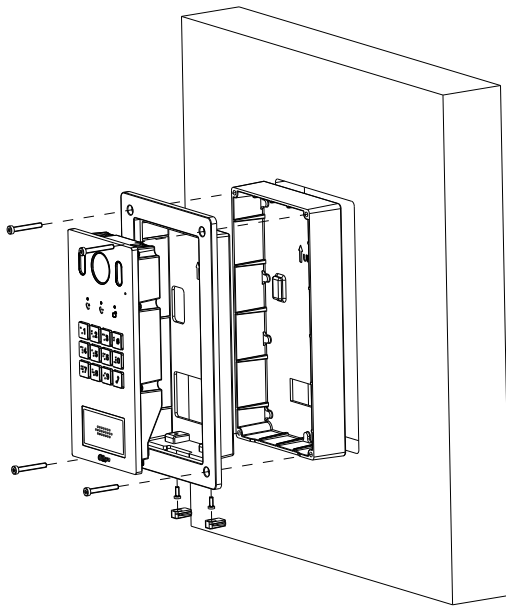
VTM116-01

VTM116-01+Flush mounted box



- Material: ADC12
- Dimensions(Front) : 138.0mm×240.0mm×35.0mm(5.43"×9.45"×1.38")
- Dimensions(rear) : 120.8mm×222.7mm×33.0mm (4.76"×8.77"×1.30")
- Wall Opening Dimensions: 120.8mm×222.7mm×33.0mm (4.76"×8.77"×1.30")

Installation



- Step 1** Cut an opening with the size of the mounting box on the wall.
- Step 2** Pull the reserved cables through the cable hole on the mounting box, and then fix the mounting box in the wall with cement.
- Step 3** Connect the cables to the ports on the VTO rear panel through the enclosure.
- Step 4** Fix the VTO in the enclosure with the M3 screws, and then put sealant between the VTO and the enclosure.
- Step 5** Fix the VTO and the enclosure in the mounting box with the ST4×25 screws.

Dimensions (mm[inch])

