

DHI-KTP02

IP Video Intercom KIT



Technical Specification

Model	DHI-VTO2111D-P-S3
-------	-------------------

System

Main Processor	Embedded Processor
Operating System	Embedded Linux OS
Button Type	Mechanical
Interoperability	CGI; ONVIF
Network Protocol	SIP; P2P; IPv4; DNS; RTSP; RTP; TCP; UDP

Basic

Camera	1/2.8" 2 MP CMOS high definition, low illumination/DWDR/ color/IR
Field of View	H: 107°; V: 60°; D: 122°
Noise Reduction	3D NR
Video Compression	H.264; H.265
Video Resolution	Main stream: 720p, WVGA, D1, CIF Sub stream: 1080p, WVGA, D1, QVGA, CIF
Video Frame Rate	PAL: 25 fps; NTSC: 30 fps
Video Bit Rate	256 Kbps–8 Mbps
Light Compensation	Auto IR
Day/Night	Auto(ICR)/Color/B/W;Color/B/W
Audio Compression	G.711a; G.711u; PCM
Audio Input	1
Audio Output	Built-in speaker
Audio Mode	Two-way audio

IP Villa Door Station

- Megapixel image sensor
- Supports IR illumination and night vision.
- Two-way audio and voice call through app.
- Can be managed through the management platform; supports voice call between App and the door station.
- Card unlock, unlock on the indoor monitor, and remote unlock through the App.
- Supports IP65 (Silicone sealant is needed.
- For details, see the quick start guide.)
- Supports 10000 cards.
- Supports standard PoE power supply.
- Controls two locks.

IP Indoor Monitor

- 7" TFT Capacitive touch screen, 1024 x 600.
- IPC surveillance.
- Alarm integration.
- High performance and Cost-effective.
- Supports 8 GB SD card.
- Supports standard PoE.



Audio Enhancement	Echo suppression/digital noise reduction
Audio Bit Rate	16 KHz, 16 bit

Function

Communication Mode	Full digital
Unlock Mode	Card; app; indoor monitor
Card Type	IC card
Leave Videos	Yes (an SD card must be inserted in the VTH)
Web Configuration	Yes

Performance

Card Reading Distance	0 cm–4.5 cm (0"–1.77")
Issue Card Locally	Yes
Casing Material	PC + Acrylic

Capacity

Card	10,000
------	--------

Port

RS-485	1
Power Output	1 port, 12 V and 200 mA
Exit Button	1
Door Status Detection	1

Lock Control	1 port, normally closed by default
Network Port	1 × 10Mbps/100Mbps network port (8-core white ribbon cable)
Alarm	
Tamper	Yes
General	
Appearance Color	Black
Power Supply	12 VDC, 1 A Standard PoE
Power Adapter	Optional
Installation	Surface Mount
Certifications	CE
Accessory	Included: Alarm power ribbon cable, rain cover, brackets
Product Dimensions	135.1 mm × 70.6 mm × 34.6 mm (5.32" × 2.78" × 1.36")
Protection	IP65 (silicone sealant is needed, see the quick start guide.) IK04 (for common use)
Operating Temperature	-30 °C to +60 °C (-22 °F to +140 °F)
Operating Humidity	10%~90% (RH), non-condensing
Operating Altitude	Beneath 3000 m (9842.52 ft)
Operating Environment	Outdoor
Power Consumption	≤ 1 W (standby), ≤ 5 W (working)
Gross Weight	326 g (0.72 lb)
Anti-corrosion Level	Basic Protection

Model	DHI-VTH2421FB-P
-------	-----------------

System	
Main Processor	Embedded Processor
Operating System	Embedded LINUX OS

Basic	
Screen Type	Capacitive Touchscreen
Display Screen	7" TFT
Screen Resolution	1024 (H) × 600 (V)
Audio Compression	G.711a; G.711u; PCM
Audio Input	1 channel all-direction microphone
Audio Output	Built-in 1.5 W loudspeaker
Audio Mode	Two-way audio
Audio Enhancement	Echo suppression/digital noise reduction
Audio Bit Rate	16 KHz; 16 bit

Function	
Communication Mode	Full digital
Information Release	Support to receive and view notifications issued by center
Leave Videos	Yes
DND Mode	Do not disturb period can be set
Number of Extensions	Villa: 9; Apartment: 4
Storage	Embedded 8 GB card

Port	
Alarm Input	6 channel (switch quantity)
Alarm Output	1 channel
Network Port	1 × RJ-45 port

Performance	
Casing Material	PC + ABS

General	
Appearance Color	Black
Power Supply	12 VDC, 1 A Standard PoE
Installation	Surface Mount
Accessory	Default bracket Default alarm cable
Product Dimensions	119.6 mm × 221.5 mm × 23.5 mm (4.71" × 8.72" × 0.93")
Operating Temperature	-10°C to +55°C (+14°F to +131°F)
Operating Humidity	10%-95% (RH)
Power Consumption	Standby≤4 W, work≤6 W
Gross Weight	0.35 kg (0.77 lb)
Storage Temperature	Basic Protection

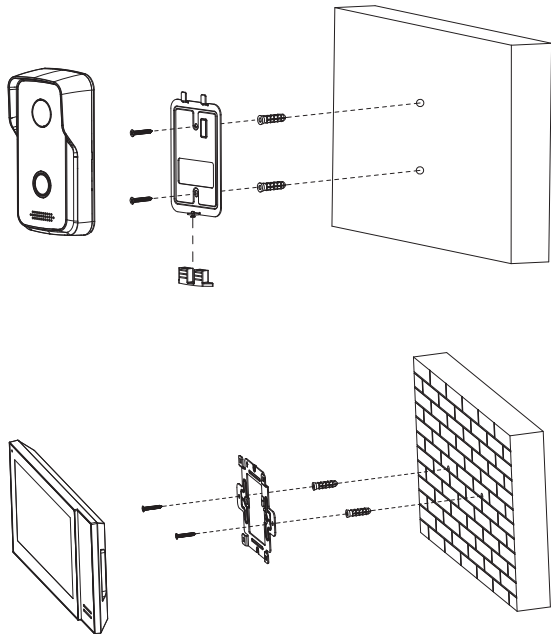
Model	DH-PFS3006-4ET-36
-------	-------------------

System	
Main Processor	Embedded Processor

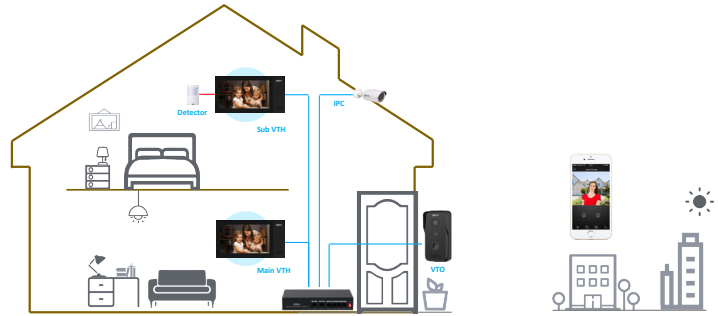
Port	
Network Port	4 × PoE ports with 10/100 Mbps Base-TX 2 uplink ports with 10/100Mbps Base-TX

General	
Appearance Color	Black
Certifications	CE; FCC
Product Dimensions	194.0 mm × 108.1 mm × 35.0 mm (7.64" × 4.26" × 1.38")
Gross Weight	0.56 kg (1.23 lb)
Anti-corrosion Level	Basic Protection

Installation



Application



Dimensions (mm[inch])

